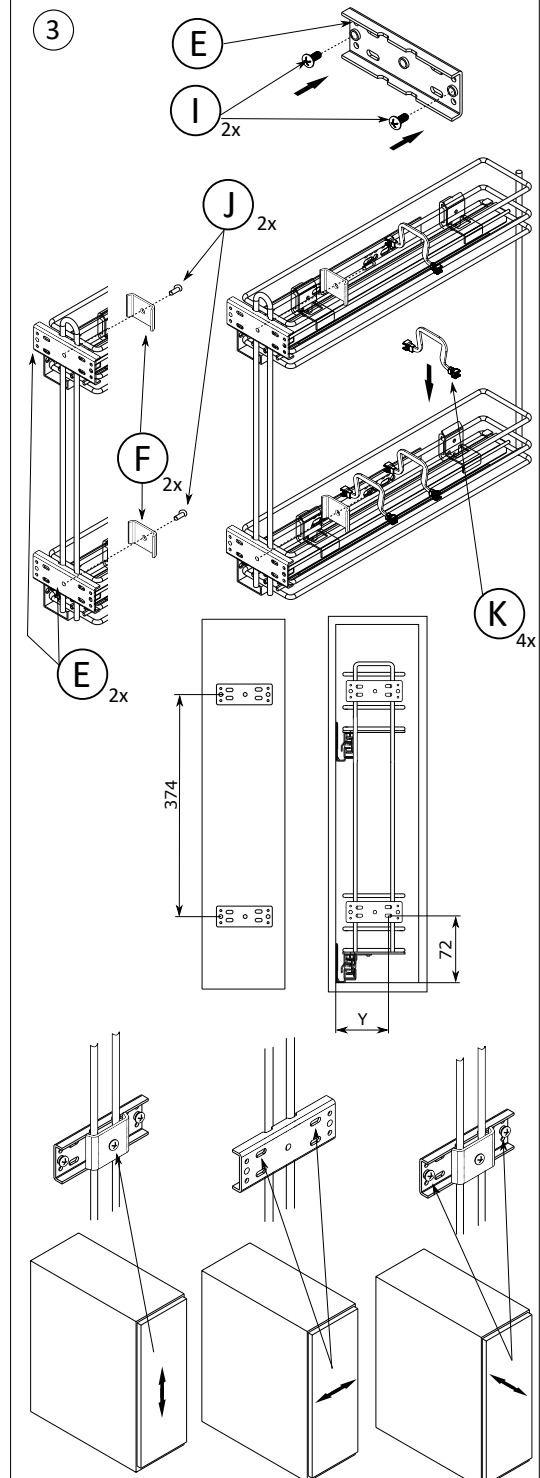
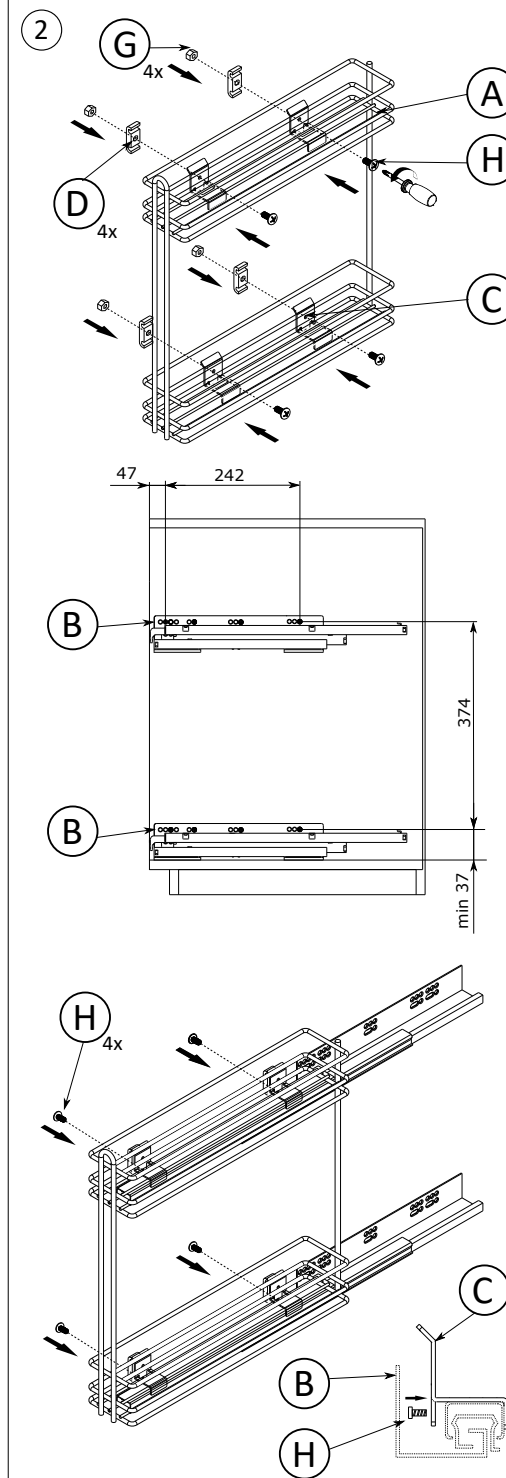


RiEx



	A	1x		G	4x	
			M4			
				H	8x	
			M4x12			
				I	4x	
	M6x12					
		J	2x			
	M6x15					
	B	2x		K	4x	
	C	4x	<div data-bbox="582 782 1052 1388" data-label="Diagram"> <p>①</p> </div>			
	D	4x				
	E	2x				
	F	2x				
	F	2x				

KB	LW	Y
150	114	82
200	164	107

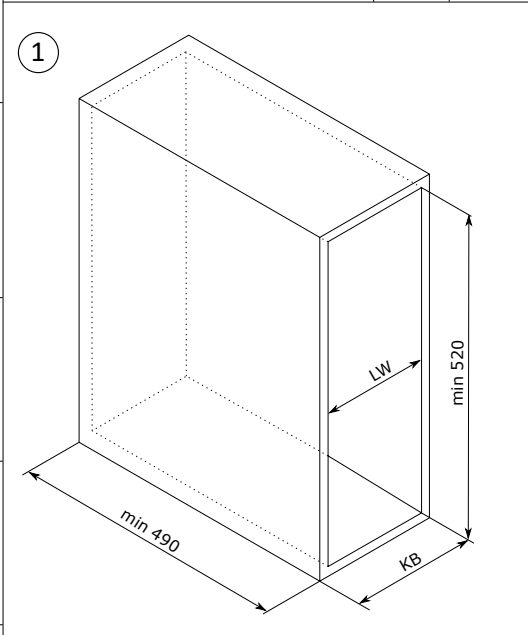


RiEx



	A	1x
	B	2x
	C	4x
	D	4x
	E	2x
	F	2x

	G	4x
M4		
	H	8x
M4x12		
	I	4x
M6x12		
	J	2x
M6x15		
	K	4x



KB	LW	Y
150	114	82
200	164	107

