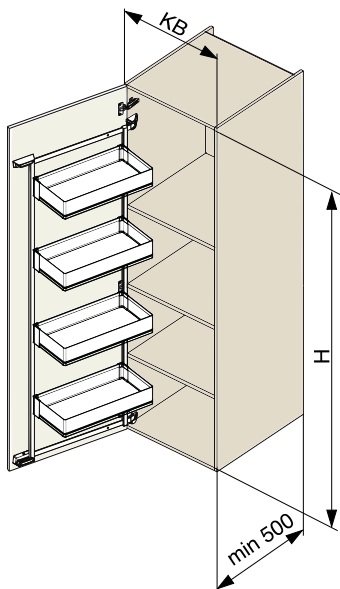
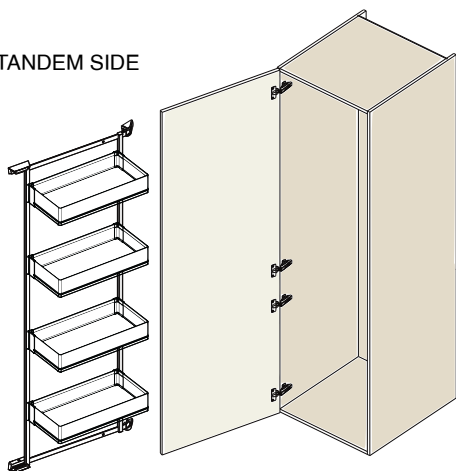


| |
|-----|
| KB |
| 450 |
| 600 |

| |
|------|
| H |
| 600 |
| 800 |
| 1100 |
| 1700 |



TANDEM SIDE



TANDEM II

